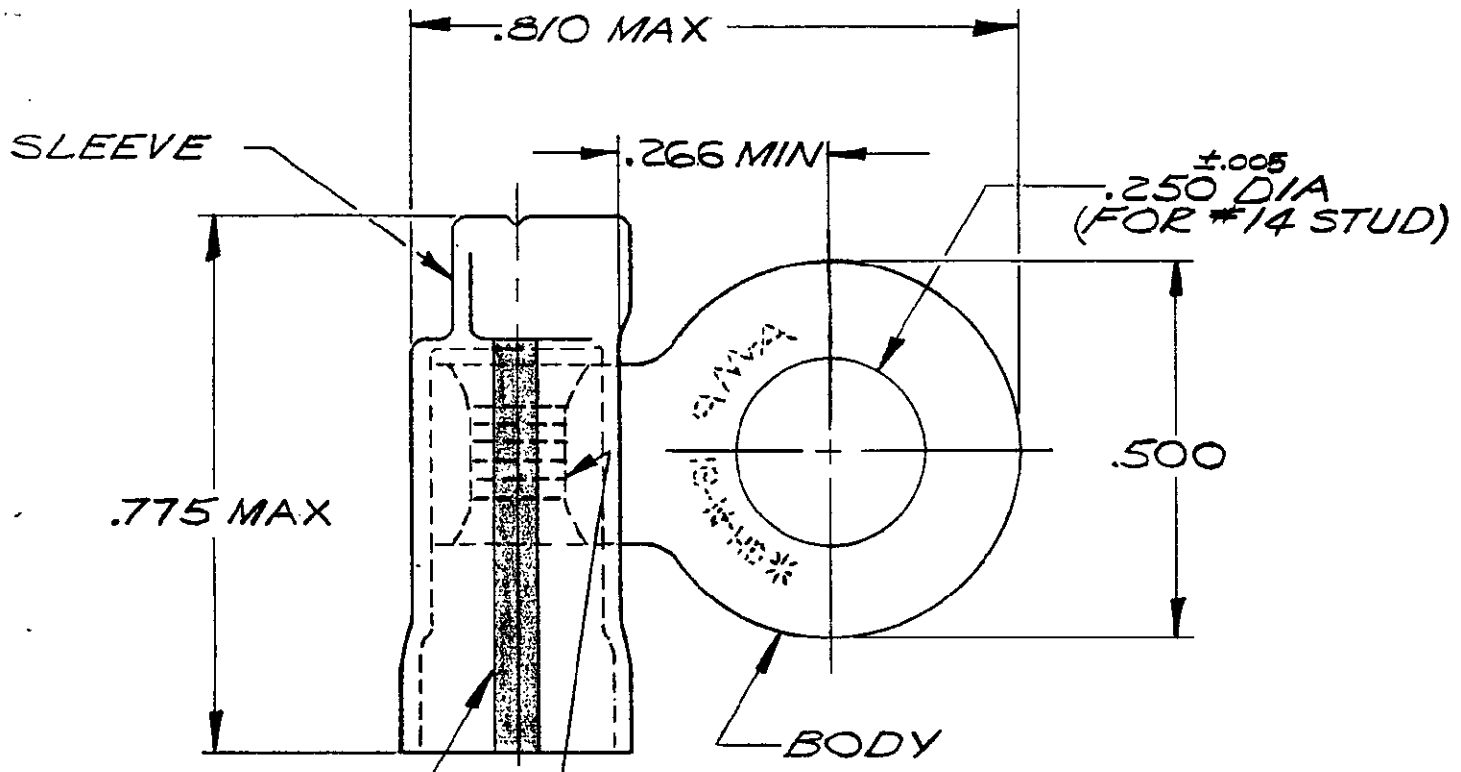


DRAWING MADE IN AMERICAN PROJECTION

LOC **G** PRINT DIST **14**

© 1954 BY AMP INCORPORATED. ALL RIGHTS RESERVED. AMP PRODUCTS COVERED BY PATENTS AND/OR PATENTS PENDING.

REVISIONS			
LTR	DESCRIPTION	DATE	APPROVED
E	REV/0L20-0085-97	11/13-97	ME/SB
C	REV/G-020492	LO 10/92	ME
D	REV/0720-0309-93	LO 9/93	ME



STRIPES
COLOR: BLACK

TONGUE MAT'L THK .048 ±.002

1	.320 MAX	322313-0	SLEEVE: PVC, COLOR: NATURAL
		OBSOLETE	
1	.150 - .230	322313	BODY: COPPER (QQ-C-576) TIN PLATE (MIL-T-10727)

QTY FOR WIRE INS. DIA. PART NO. MATERIAL AND FINISH

UNLESS OTHERWISE SPECIFIED DIMENSIONS ARE IN INCHES
TOLERANCES ON:
DECIMALS ± .008
ANGLES ± 5°

CONTRACT NO. #
DR. *Stair Sink* 4-17-69
CHK *H. Young* 4-17-69
APPD *H. Young* 4-17-69
REL *M. Encarnacion*
DSGN APPD
OTHER APPD

MATERIAL

SEE TABLE

AMP AMP INCORPORATED
HARRISBURG, PENNSYLVANIA
NAME
**WIRE TERMINAL
PLASTI-GRIP-RING TONGUE-FLAG
WIRE SIZE: 16-14 HD**

SIZE	CODE IDENT NO.	NUMBER
A	00779	322313

SCALE 4:1 SHEET 1 OF 1